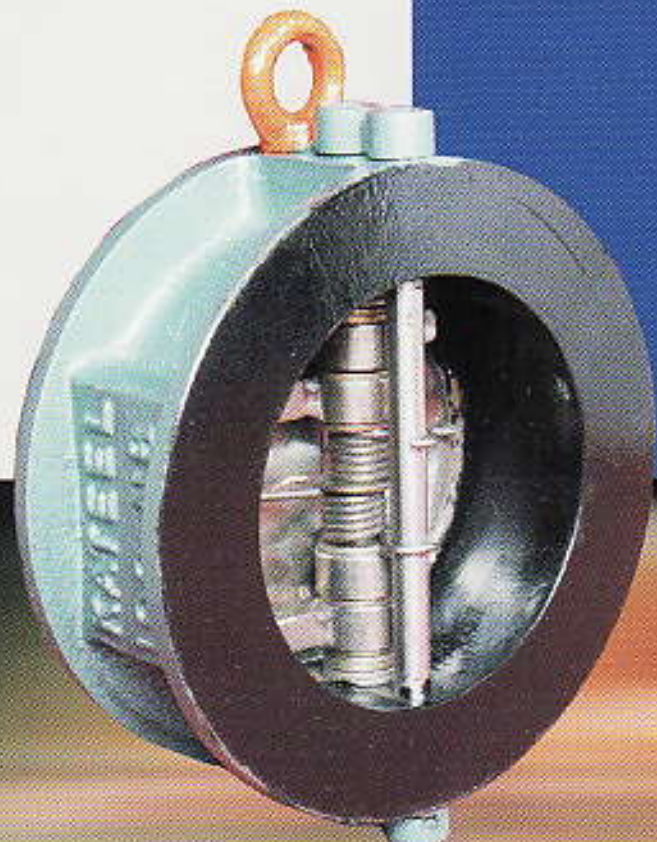
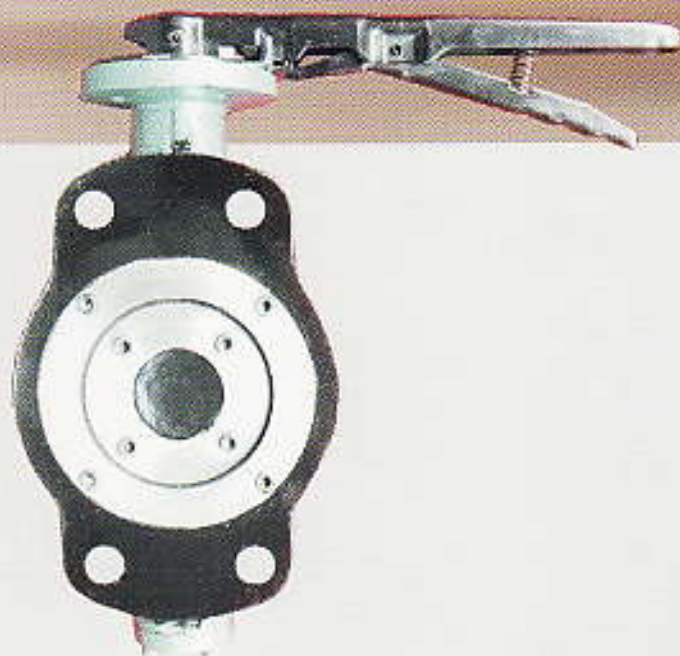


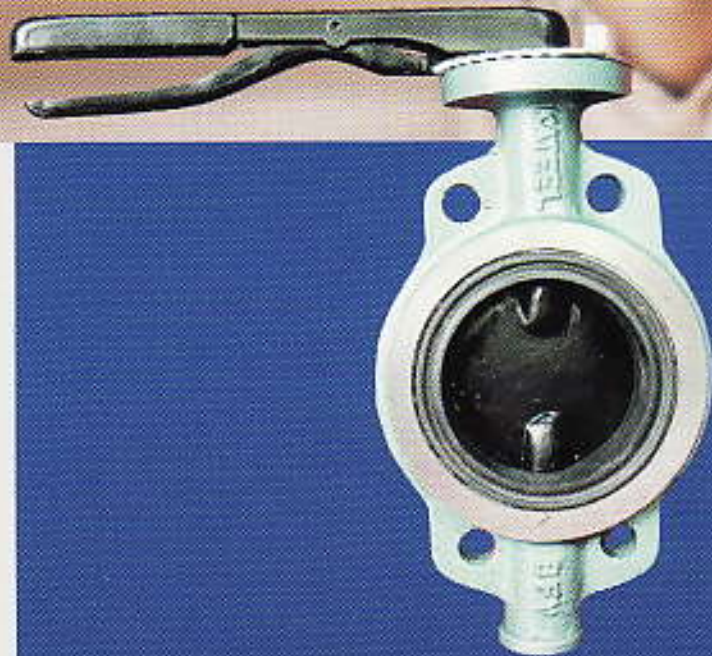
KATEEL ENGINEERING Process Control Valves



Dual Plate Check Valve



Butterfly Valve
With Replaceable
Seal Ring & Seat Ring

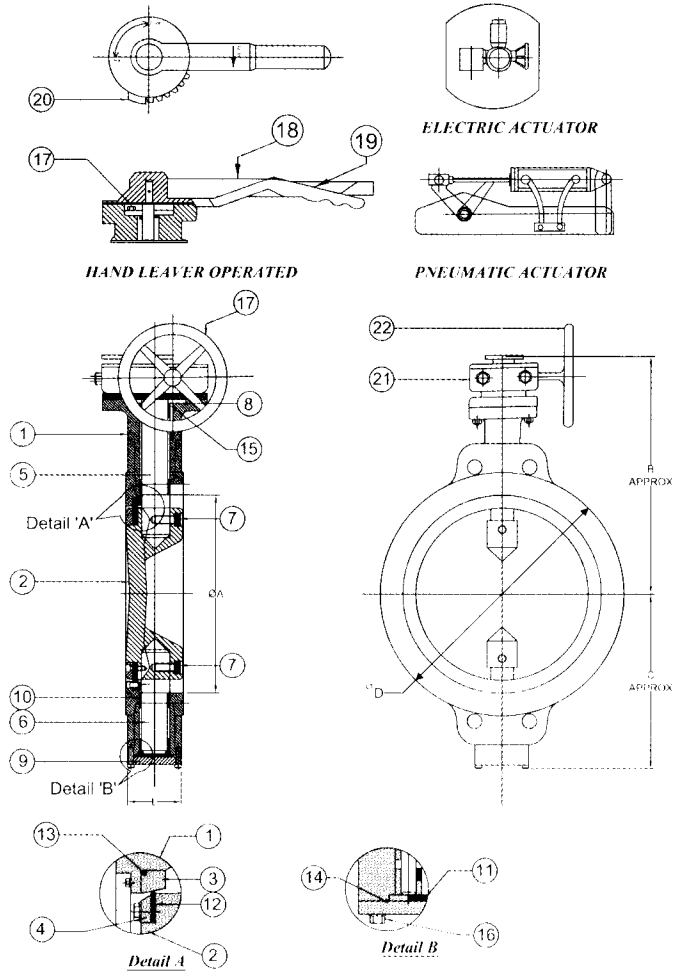


Butterfly Valve with
Replaceable Liner

The High Performance Valves

Butterfly Valve (Wafer Design) with Replaceable Seal Ring & Seat Ring

FIG No. 1500-W



Sl No.	PART NO.	MATERIAL
1	BODY	C.I.IS 210 gr FG 260
2	DISC	CS-ASTM A 216 gr WCB
3	SEAT RING	SS. ASTM A351 gr CF8/CF8M
4	SEAL CLAMPING RING	---- do ----
5	UPPER SHAFT	SS A1S1 410/304/316
6	LOWER SHAFT	---- do ----
7	SHAFT PINS	---- do ----
8	GLAND PLATE	---- do ----
9	BOTTOM COVER	CI / CS / MS / SS
10	SHAFT BEARINGS	PTEF/ BS 1400 gr Pb4/ Lb2 / Nylon
11	THRUST PAD	BS 1400 gr Pb4/Lb2
12	SEAL RING	PTFE / Elastomers*
13	BODY SEAL	Elastomers*
14	BOTTEM COVER SEAL	Elastomers*
15	SHAFT SEAL	Elastomers*
16	EXTERNAL HARDWARE	HTS
17	INTERNAL HARDWARE	S.S
18	HANDLE	M.S.
19	HANDLE LEAVER	M.S.
20	LATCH PLATE	M.S.
21	ACTUATORS	Mfr.std
22	HAND WHEEL	CI / Maleable Iron

*Elastomers : Natural/ Neoprene/ Nitrile - Buna N. Butyle/ EPDM, Silicon and Viton etc.

SIZE	Ø A	B	C	Ø D	L
50	52	145	70	92	43
65	65	160	80	105	46
80	80	170	90	127	46
100	102	195	105	157	52
125	125	215	120	186	56
150	152	230	135	216	56
200	203	390	190	270	60
250	250	434	216	324	68
300	300	540	260	381	78
350	350	555	290	413	127
400	400	640	335	470	140
450	450	700	345	534	152
500	508	745	390	584	152
600	608	760	440	692	178
700	720	810	460	800	229
750	770	850	530	857	----
800	812	920	540	914	241
900	915	960	635	1022	241
1000	1015	1020	675	1124	300
1200	1220	1250	815	1359	350
1400	1420	1455	955	1575	390
1600	1620	1555	1110	1710	540

TEST PRESSURE

HYDRO		PNEUMATIC	
BODY	SEAT	BODY	SEAT

Highlights

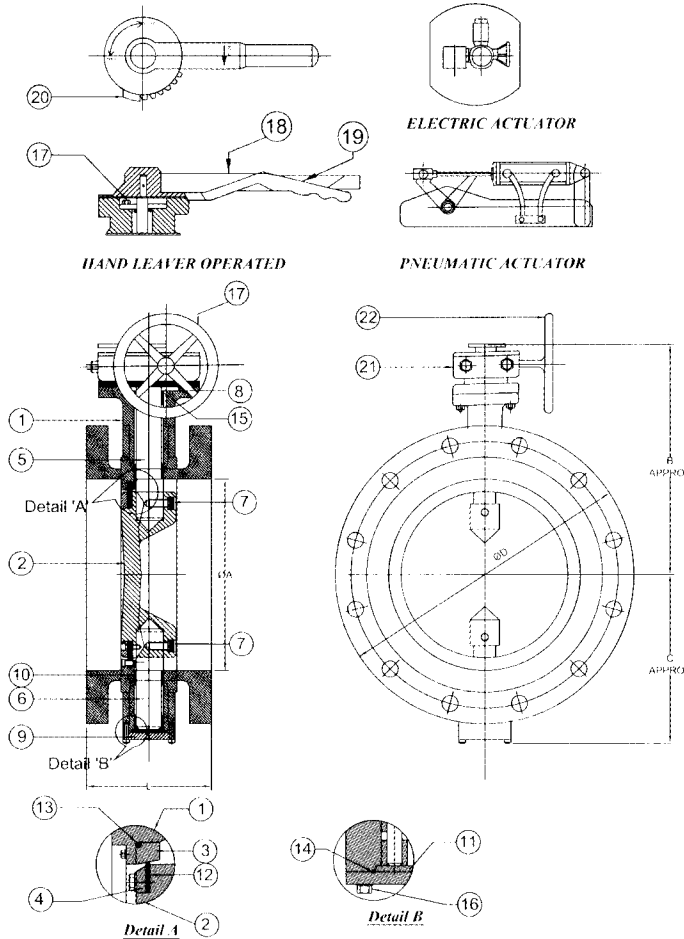
- ◆ Manufactured with high technology and high quality standards for trouble free performance and long cycle life.
- ◆ Designed to meet accurate flow control and flow regulations.
- ◆ Seating Geometry assures positive 100% tight shut-off.
- ◆ Metal to metal seated butterfly valve “**Tricentric Design**” ensures smooth operation even at high temperature service conditions.
- ◆ Quarter turn shut off.
- ◆ Easily replaceable. **Seat Ring & Seal Ring**
- ◆ No. Lubrication.
- ◆ Manufactured in accordance with **Std. BS 5155/ API609 and AWWA C504**
- ◆ Pressure Test as per **API 598/ BS 6755 Part - 1**

Note :

1. These valves shall be installed in between standard line flanges to ANSI B 16.5/ B 16.1/ BS 4504, BS 10 Table D and DIN ND 10.
2. Face to face distance given 'L' dimensions given as per **BS 5155** on demand the same can be offered as per **AWWA C504 or API 609**.
3. Lug type/ single flange valve can be supplied. It required.
4. Valves are available with **Gear/ Electrical and Pneumatic Actuators**.
5. Manual Gear Actuators are recommended for size **250 NB and above**.
6. Inspection 100% at our works and offered for third party Inspection agencies like **EIL/ IRS/ LRS/ DNV/ DG & QA, M.N./ Dastur & Co. UHDE/ PDIL and TATA**

Butterfly Valve (Double Flanged Ends) with Replaceable Seal Ring & Seat Ring

FIG No. 1500 F



Sl No.	PART NO.	MATERIAL
1	BODY	C.I. IS 210 gr FG 260
2	DISC	CS-ASTM A 216 gr WCB SS. ASTM A351 gr CF8/CF8M
3	SEAT RING	SS. ASTM A351 r CF8/CF8M
4	SEAL CLAMPING RING	--- do ---
5	UPPER SHAFT	SS A1S1 410/304/316
6	LOWER SHAFT	--- do ---
7	SHAFT PINS	--- do ---
8	GLAND PLATE	--- do ---
9	BOTTOM COVER	CI / CS / MS / SS
10	SHAFT BEARINGS	PTFE/ BS 1400 gr Pb4/ Lb2 / Nylon
11	THRUST PAD	BS 1400 gr Pb4/Lb2
12	SEAL RING	PTFE / Elastomers*
13	BODY SEAL	Elastomers*
14	BOTTEM COVER SEAL	Elastomers*
15	SHAFT SEAL	Elastomers*
16	EXTERNAL HARDWARE	HTS
17	INTERNAL HARDWARE	S.S
18	HANDLE	M.S.
19	HANDLE LEAVER	M.S.
20	LATCH PLATE	M.S.
21	ACTUATORS	Mfr.std
22	HAND WHEEL	CI / Maleable Iron

*Elastomers : Natural/ Neoprene/ Nitrile - Buna N. Butyle/ EPDM, Silicon and Viton etc.

SIZE	Ø A	B	C	Ø D	L	
					AWWA / BS5155	
50	52	145	70	153	----	108
65	65	160	80	178	----	112
80	80	170	90	194	127	114
100	102	195	105	229	127	127
125	125	215	120	254	----	140
150	152	230	135	280	127	140
200	203	390	190	343	203	152
250	250	434	216	406	203	165
300	300	540	260	483	203	178
350	350	555	290	533	203	190
400	400	640	335	597	203	216
450	450	700	345	635	203	222
500	508	745	390	699	203	229
600	608	760	440	813	203	267
700	720	810	460	927	----	292
750	770	850	530	984	305	----
800	812	920	540	1060	----	318
900	915	960	635	1168	305	330
1000	1015	1020	675	1289	305	410
1200	1220	1250	815	1511	381	470
1400	1420	1455	955	1746	381	530
1600	1620	1555	1110	1896	457	600

TEST PRESSURE			
HYDRO		PNEUMATIC	
BODY	SEAT	BODY	SEAT

Highlights

- ◆ Manufactured with high technology and high quality standards for trouble free performance and long cycle life.
- ◆ Designed to meet accurate flow control and flow regulations.
- ◆ Seating Geometry assures positive 100% tight shut-off.
- ◆ Metal to metal seated butterfly valve "Tricentric Design" ensures smooth operation even at high temperature service conditions.
- ◆ Quarter turn shut off.
- ◆ Easily replaceable. **Seat Ring & Seal Ring**
- ◆ No. Lubrication.
- ◆ Manufactured in accordance with **Std. BS 5155/ API609 and AWWA C504**
- ◆ Pressure Test as per **API 598/ BS 6755 Part - 1**

Note :

1. These valves shall be installed in between standard line flanges to ANSI B 16.5/ B 16.1/ BS 4504, BS 10 Table D & F and DIN ND 10.
2. Face to face distance given 'L' dimensions given as per **BS 5155 & also AWWA C504**.
3. Values are available with **Gear/ Electrical and Pneumatic Actuators**.
4. Manual Gear Actuators are recommended for size **250 NB and above**.
5. Inspection 100% at our works and offered for third party Inspection agencies like **EIL/ IRS/ LRS/ DNV/ DG & QA, M.N./ Dastur & Co. UHDE/ PDIL and TATA Consultancy Etc**

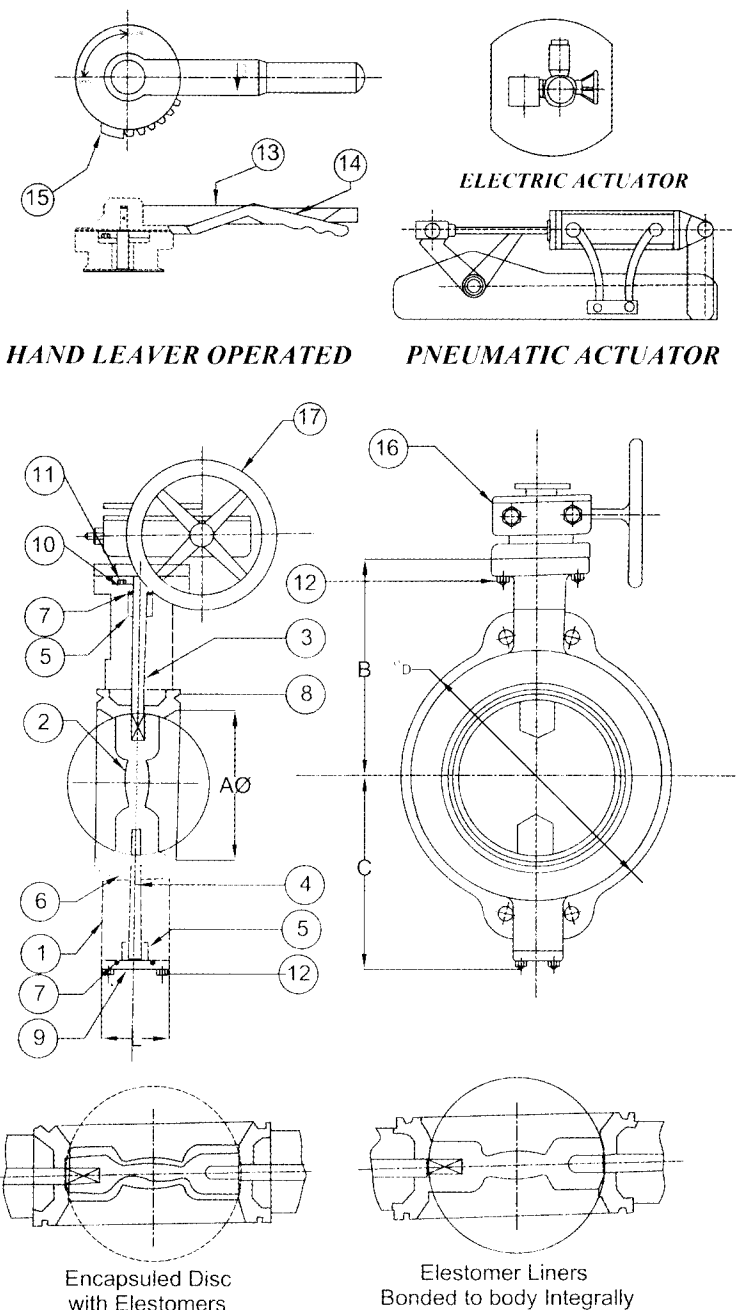
BUTTERFLY VALVE (WAFER DESIGN) WITH REPLACEABLE LINER

FIG No. 1600

SI No.	PART NO.	MATERIAL
1	BODY	C.I. IS 210 gr FG 260/Bronze/ Aluminum etc.
2	DISC	C.I. FG 260/Bronze/ Aluminum SS CF8/ CF8M etc.
3	UPPER SHAFT	SS AISI 304/ 316/410/ HT Brass etc.
4	LOWER SHAFT	SS AISI 304/ 316/410/ HT Brass etc.
5	SHAFT BEARING	PTFE/LB2/PB4/Nylon
6	REPLACEABLE LINER	Elastomers*
7	SHAFT SEALS	Elastomers*
8	BACK UP RING	CI / SS / GM / AI / MS
9	BOTTOM COVER	---- do ----
10	GLAND PLATE	---- do ----
11	ALL INTERNAL HARD WARES	SS
12	ALL EXTERNAL HARD WARES	HTS
13	HANDLE	M.S
14	HANDLE LEVER	M.S
15	LATCH PLATE	M.S
16	GEAR ACTUATOR	Mfr. Std.
17	HAND WHEEL	CI

* Elastomers : Natural / Neoprene / Nitrile - Buna N. Butyle/ EPDM, Silicon and Viton etc.

SIZE	Ø A	B	C	Ø D	L
50	52	145	70	92	43
65	65	160	80	105	46
80	80	170	90	127	46
100	102	195	105	157	52
125	125	215	120	186	56
150	152	230	135	216	56
200	203	390	190	270	60
250	250	434	216	324	68
300	300	540	260	381	78
350	350	555	290	413	92
400	400	640	335	470	102
450	450	700	345	534	114
500	500	745	390	584	127
600	600	760	440	692	154



Highlights

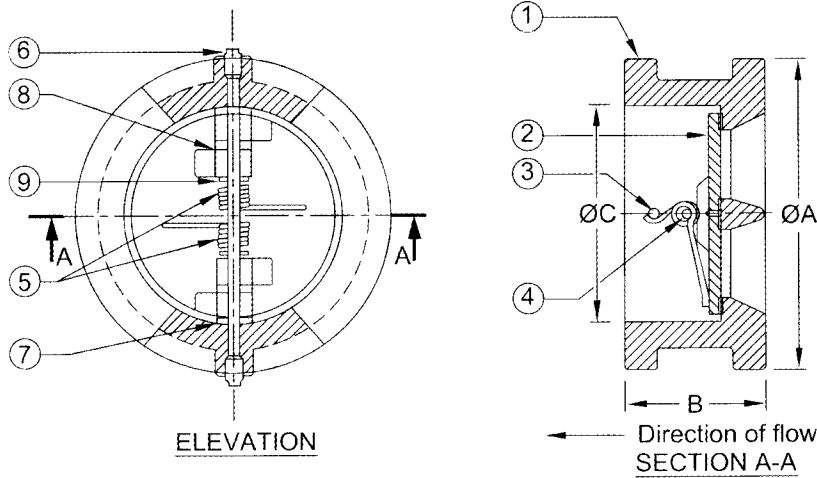
- Manufactured with high technology and high quality standards for trouble free performance and long cycle life.
 - Designed to meet accurate flow control and flow regulations.
 - Seating Geometry assures positive 100% tight shut-off.
 - Quarter turn shut off.
 - Easily replaceable body liner.
 - No. Lubrication
 - Design in accordance with Std. **BS5155 / API 609** and **AWWA. C504**
- Pressure Test as per **API 598/ BS 6755 Part - 1**

Note :

1. These valves shall be installed in between standard line flanges to **ANSI B 16.5/ B 16.1 / BS 4504/ BS 10 Table D and DIN ND 10**.
2. Face to face distance given 'L' dimensions in installed condition i.e., with liner compressed and are accordance with **BS 5155**. If required the same can be offered as per **AWWA C504 or API 609**.
3. Lug type/ single flange/ Encapsulated Disc and liner integrally moulded to body can be supplied on request.
4. Values are available with **Gear/ Electrical and Pneumatic Actuators**.
5. Manual Gear Actuators are recommended for size **250 NB and above**.
6. Inspection 100% at our works and offered for third party Inspection agencies like EIL/ IRS/ LRS/ DNV/ DG & QA/ M.N. Dastur &

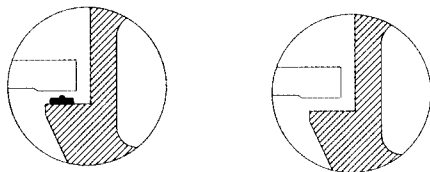
Dual Plate Check Valve (Wafer Design)

FIG No. 1800-W



Part No.	PART NAME	Material
1	BODY	C.I. IS 210 gr FG 260
2	PLATE	CS-ASTM A 216 gr WCB SS. ASTM A351 gr CF8/CF8M
3	STOP PIN	SS AISI410 / 304 / 316
4	HINGE PIN	SS AISI410 / 304 / 316
5	SPRINGS	SPRING STEEL / AISI 304 / 316
6	RETAINER	HTS / MS / SS
7	BODY BEARING	SG IRON / LB2 / PB4
8	PLATE BEARING	SG IRON / LB2 / PB4
9	SPRING BEARING	SG IRON / LB2 / PB4

☆ Resilient Seal Metal & Metal Seated



**SINGLE SPRING UPTO
125 MM (5") NB**

☆ Resilient Seals are available in Natural / Neoprene / Nitrile - Buna N. Butyl/ EPDM, Silicon and Viton etc.

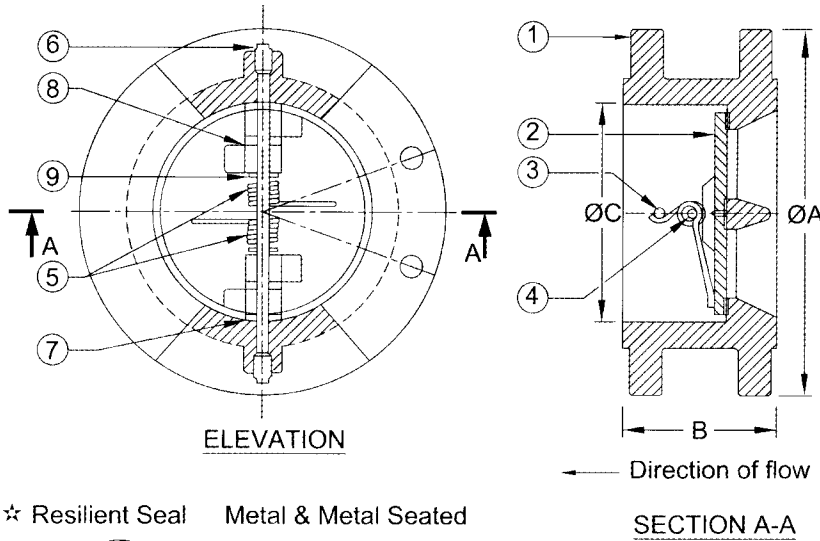
SIZE N.B	ANSI RATING	DIMENSIONS (mm)		
		** Ø A	B	Ø C
50 mm (2")	125	105	54	60
	150	105	60	60
	300	111	60	60
	600	111	60	60
65 mm (2 2/1")	125	124	54	73
	150	124	67	73
	300	130	67	73
	600	130	67	73
80 mm (3")	125	137	57	89
	150	137	73	89
	300	149	73	89
	600	149	73	89
100 mm (4")	125	175	64	114
	150	175	73	114
	300	181	73	114
	600	194	79	114
125 mm (5")	125	197	70	141
	150	197	86	141
	300	216	86	141
	600	241	105	141
150 mm (6")	125	222	76	168
	150	222	98	168
	300	251	98	168
	600	267	137	168
200 mm (8")	125	279	95	219
	150	279	127	219
	300	308	127	219
	600	321	165	219
250 mm (10")	125	340	108	273
	150	340	146	273
	300	362	146	273
	600	400	213	273
300 mm (12")	125	410	143	324
	150	410	181	324
	300	422	181	324
	600	457	229	324
350 mm (14")	125	451	184	356
	150	451	184	356
	300	486	222	356
	600	492	273	356

SIZE N.B	ANSI RATING	DIMENSIONS (mm)		
		** Ø A	B	Ø C
400 mm (16")	125	514	191	406
	150	514	191	406
	300	540	232	406
	600	565	305	406
450 mm (18")	125	549	203	457
	150	549	203	457
	300	597	264	457
	600	613	362	457
500 mm (20")	125	606	213	508
	150	606	219	508
	300	654	292	508
	600	683	368	508
550 mm (22")	125	659	222	559
	150	659	222	559
	300	703	318	559
600 mm (24")	125	716	222	610
	150	716	222	610
	300	775	318	610
650 mm (26")	125	775	248	660
	150	773	248	660
700 mm (28")	125	830	305	711
	150	830	305	711
750 mm (30")	125	881	305	762
	150	881	305	762
800 mm (32")	125	939	356	813
	150	939	356	813
850 mm (34")	125	990	356	864
	150	990	356	864
900 mm (36")	125	1047	368	914
	150	1047	368	914
1000 mm (40")	125	1162	406	1016
	150	1162	406	1016
1050 mm (42")	125	1219	432	1067
	150	1219	432	1067
1200 mm (48")	125	1384	524	1219
	150	1384	524	1219

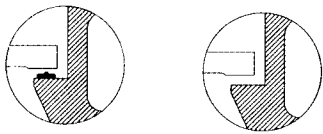
* Face- to-face dimensions are to manufacturer's standard. For other sizes & ratings API 594 is referred.

Dual Plate Check Valve (Wafer Flanged Ends)

FIG No. 1800-WF



☆ Resilient Seal Metal & Metal Seated



Part No.	PART NAME	Material
1	BODY	C.I.IS 210 gr FG 260
2	PLATE	CS-ASTM A 216 gr WCB SS. ASTM A351 gr CF8/CF8M
3	STOP PIN	SS AISI410 / 304 / 316
4	HINGE PIN	SS AISI410 / 304 / 316
5	SPRINGS	SPRING STEEL / AISI 304 / 316
6	RETAINER	HTS / MS / SS
7	BODY BEARING	SG IRON / LB2 / PB4
8	PLATE BEARING	SG IRON / LB2 / PB4
9	SPRING BEARING	SG IRON / LB2 / PB4

☆ Resilient Seals are available in Natural / Neoprene / Nitrile - Buna N. Butyle/ EPDM, Silicon and Viton etc.

SIZE N.B	ANSI RATING	DIMENSIONS (mm)		
		**ØA	B	ØC
250 mm (10")	150	406	146	273
	300	NOT POSSIBLE		
	600	508	213	273
300 mm (12")	150	483	181	324
	300	521	181	324
	600	559	229	324
350 mm (14")	150	533	184	356
	300	584	222	356
	600	603	273	356
400 mm (16")	150	597	191	406
	300	648	232	406
	600	686	305	406
450 mm (18")	150	635	203	457
	300	711	292	457
	600	743	362	457

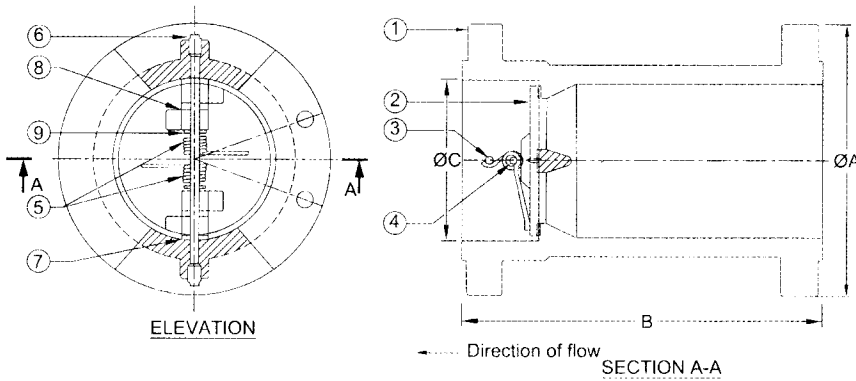
SIZE N.B	ANSI RATING	DIMENSIONS (mm)		
		**ØA	B	ØC
500 mm (20")	150	699	219	508
	300	775	292	508
	600	813	368	508
550 mm (22")	150	749	222	559
	300	838	318	559
600 mm (24")	150	813	222	610
	300	914	318	610
650 mm (26")	150	870	248	660
700 mm (28")	150	927	305	711
750 mm (30")	150	984	305	762
800 mm (32")	150	1060	356	813
850 mm (34")	150	1111	356	864
900 mm (36")	150	1168	368	914
1000 mm (40")	150	1289	406	1016
1050 mm (42")	150	1346	432	1067
1200 mm (48")	150	1511	524	1219

* Face- to-face dimensions are to manufacture's standard. For other sizes & ratings API 594 is referred.

** Hub diameter (A) also B are to suit ANSI B16.5, MSS SP 44 and ANSI B16.47 Series A dimensions. This can also be supplied to suit flange

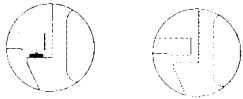
Dual Plate Check Valve (Extended Double Flange Ends)

FIG No. 1800-EF



Part No.	PART NAME	Material
1	BODY	C.I.I.S 210 gr FG 260
2	PLATE	CS-ASTM A 216 gr WCB
3	STOP PIN	SS. ASTM A351 gr CF8/CF8M
4	HINGE PIN	SS AISI410 / 304 / 316
5	SPRINGS	SPRING STEEL / AISI 304 / 316
6	RETAINER	HTS / MS / SS
7	BODY BEARING	SG IRON / LB2 / PB4
8	PLATE BEARING	SG IRON / LB2 / PB4
9	SPRING BEARING	SG IRON / LB2 / PB4

☆ Resilient Seal Metal & Metal Seated



☆ Resilient Seals are available in Natural / Neoprene / Nitrile - Buna N. Butyl/ EPDM, Silicon and Viton etc.

SIZE N.B	ANSI RATING	DIMENSIONS (mm)		
		**∅A	B	∅C
50 mm (2")	150	152	203	60
	300	165	267	60
	600	165	292	60
65 mm (2 1/2")	150	178	216	73
	300	191	292	73
	600	191	330	73
80 mm (3")	150	191	241	89
	300	210	318	89
	600	210	356	89
100 mm (4")	150	229	292	114
	300	254	356	114
	600	273	432	114

SIZE N.B	ANSI RATING	DIMENSIONS (mm)		
		**∅A	B	∅C
150 mm (6")	150	279	356	168
	300	318	445	168
	600	356	559	168
200 mm (8")	150	343	495	219
	300	381	533	219
	600	419	660	219
250 mm (10")	150	406	622	273
	300	445	622	273
	600	508	787	273
300 mm (12")	150	483	699	324
	300	521	711	324
	600	559	838	324

Similar design can also be provided for larger sizes. Alternatively face-to-face dimensions can be matched to Swing Check Valve by separate spool piece.

** Hub (Flange) diameter is as per ANS B16.5 dimensions. This can also be supplied to suit flange dimensions as per BS 1560, BS 10, JIS, IS or any other standard as per buyers specifications

SPRING SELECTION

For Standard Valve, with resilient seal, spring will be of SS 304 (or SS 316 if required) as standard. For Metal-to-Metal seating SS 316 or Inconel X-750 will be offered as required by the process conditions.

For operating temperature above 120 C only Inconel X-750 spring is recommended and used.

For proper spring selection, the service temperatures, pressure and fluid conditions should be specified at enquiry stage.

Dual Plate Check Valve Verses Swing Check Valve Advantages at a Glance

DUAL PLATE CHECK VALVE

- ◆ Light Weight thus easier handling and self supporting.
- ◆ More compact & structurally sound design.
- ◆ Same valve can be installed horizontally or vertically.
- ◆ Only Check Valve which can be installed for flow upside down due to spring assisted closure.
- ◆ Low Pressure Drop and reduced Energy Loss irrespective of Pressure Ratings.
- ◆ Streamlined Flow-way.
- ◆ Efficient and Positive sealing under most flow and pressure conditions. Valve closes before flow reversal. at zero velocity.
- ◆ Inherently Non-Slamming. No external devices/attachments required.
- ◆ Water hammer almost non-existent.

SWING CHECK VALVE

- ◆ Bulky & voluminous thus cumbersome handling & heavier supporting system.
- ◆ Large & difficult to analyze from stress concentration points in critical applications due to intricate body shape.
- ◆ Suitable primarily for horizontal applications.
- ◆ Not possible.
- ◆ Significant Pressure Loss and Energy Loss, which is still higher for higher pressure ratings.
- ◆ Swing restricted flow-way.
- ◆ Always require reverse flow for closure and back pressure for effective sealing.
- ◆ External attachment required to counteract slamming.
- ◆ Water hammer tendency persists.

DIMENSIONS:-

FOR PNUMATIC CYLINDER

WORKING PRESSURE	VALVE SIZE	HEIGHT FROM THE VALVE CENTER TO FACE (A)	OVERALL WIDTH (B)	FACE TO FACE (A)
0 - 10 Kg/cm ²	6 IN	774 mm	177 mm	57 mm
	8 IN	931 mm	200 mm	70 mm
	12 IN	1281 mm	274 mm	76 mm

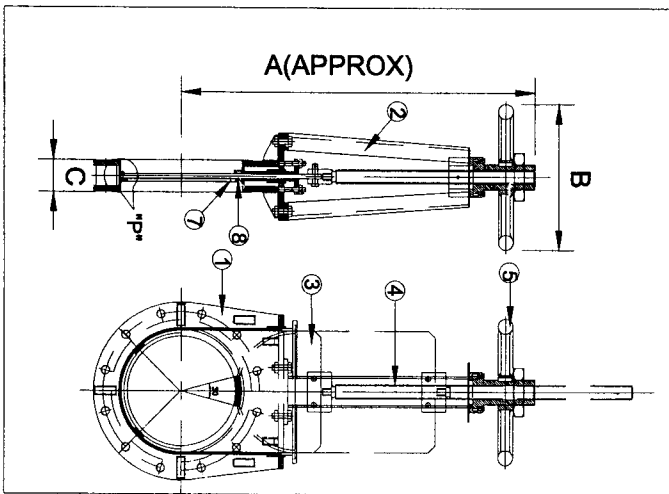
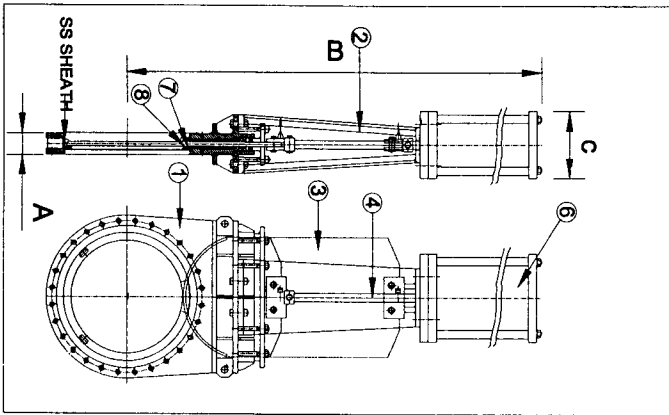
FOR HAND WHEEL

SL No.	VALVE SIZE	DIMENSION		
		A	B	C
1	80 NB	319	170	50
2	100 NB	500	180	57
3	150 NB	560	291	61
4	200 NB	620	338	74
5	300 NB	1281	400	76

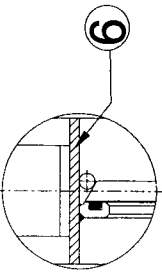
SPECIFICATIONS:-

VALVE SIZE	FLANGE	TEST PRESSURE		MATERIAL	
		BODY	SEAT	BODY	INNER BODY
150-350 mm 6 - 14 IN	STANDARD BS: 4504, 10/11 10 Kg/cm ²	W.T.P 11 Kg/cm ²	W.T.P 2.8 Kg/cm ²	CAST IRON	304 SS
OPTION	ANSI 125 lb 150 lb				316 SS

SEAT RING	MAX. OPERATING PRESSURE	MAX. OPERATING TEMP.	RATE OF LEAK AT TEST
304 SS	10 Kg/cm ²	230 ° C	40 cc/min/in
316 SS			
NBR EPDM	(FOR METAL TO METAL CONTACT ONLY)		



Sl no.	PART NAME	SPECIFICATION
1	BODY	C.I./C.S/FAB M.S
2	BONNET	C.I./C.S/FAB M.S
3	KNIFE GATE	SS AISI 304
4	SHAFT OR STEM	SS AISI 410
5	HAND WHEEL	CAST IRON / MILD STEEL
6	PNUMATIC CYLINDER	MFR STD
7	SEAT RING	SS AISI 304
8	SEAL RING	EPDM / NEOPRENE
9	INNER BODY	SS AISI 304



DETAILS AT * P'

1. ALL DIMENSIONS ARE IN MM. 3. REMOVE ALL BURRS & SHARP CORNERS.

2. DO NOT SCALE THE DRAWING. 4. COUNTERSINK TAPPED HOLES TO BODY SIZE.

5. ALL HOLES, SLOTS & RIBS ARE EQUI-SPACED, UNLESS / OTHERWISE SPECIFIED.

CLIENT :

REVISION NOTES

DESCRIPTION :

KGV

S.No

DATE

APPROVED BY

KATEEL

ENGINEERING INDUSTRY PVT. LTD.

DRAWING No : KEIL/KGV/00



BANGALORE

SCALE : MTS Page : 01/01 Rev : 00

KATEEL ENGINEERING INDUSTRY (P) LTD.

KATEEL ROTARY AIRLOCK VALVES

Body and End covers:

- Cast iron.
- Cast iron, internally hard chromium plated.
- Cast iron, completely electroless nickel-plated.
- Cast iron, with wear resistant tungsten carbide coating.
- All stainless steel 316.

Rotors:

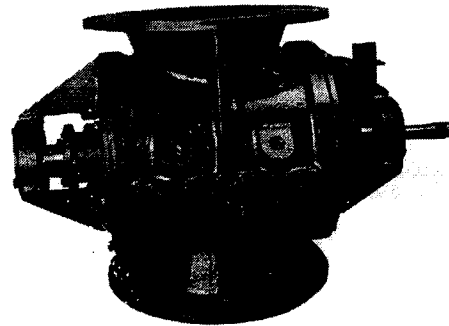
- Interchangeable and adjustable rotor blades (standard version.)
- With reduced capacity rotor and interchangeable rotor blades.
- With radiused rotor pockets and fixed blades.
- In easily removable execution, on request.

Rotor shafts:

- Steel.
- Stainless steel 316.
- Steel with hard chromium plating or tungsten carbide coating.

Rotor blades:

- Steel.
- Hardened steel.
- Steel, hard chromium plated or electroless Nickel coated.
- Resins (Teflon etc.)
- Stainless steel 316.
- Stainless steel scraper blades
- Chamfered rotor blades



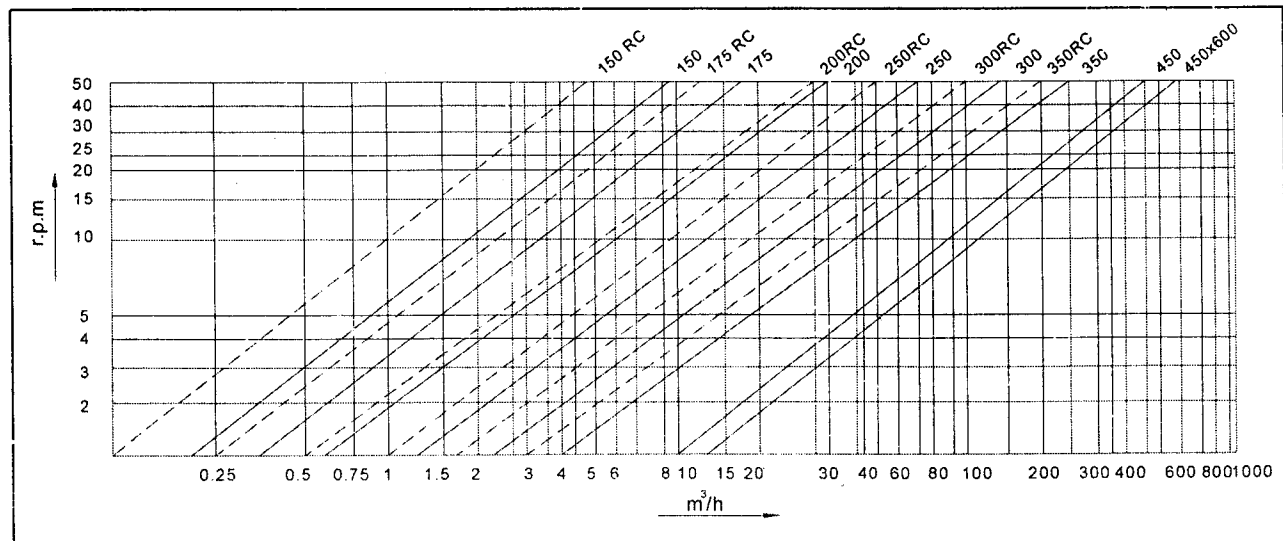
(DROP THROUGH TYPE)



(BLOW SEAL TYPE)

Capacity graph:

Filling efficiency 100%



	STANDARD DESIGN						
	(All dimensions are in mm)						
	MODEL	A	B	C	D	E	Standard Geared Motor HP
	K-RALV-150	265	150	260	10	225	0.25
	K-RALV-200	320	200	370	12	280	0.5
	K-RALV-250	380	250	430	16	335	0.5
K-RALV-300	440	300	520	16	395	1.0	
K-RALV-350	490	350	610	20	445	2.0	

Note: Dimensions are subjected to changes without notice because of continuous improvement.

STANDARD VERSION	MAIN TECHNICAL FEATURES
<p>Body Covers : High quality cast material accurately machined. Also in fabricated construction MS (En-8)</p> <p>Rotor blades : In different quality at choice</p> <p>Shaft sealing : By Gland packing</p> <p>Bearing arrangement : Outboard ball bearing, sealed for life.</p>	<ul style="list-style-type: none"> • High filling caused by effective inlet shape • Sheared angle inlet • Close running clearance hence very low air leakage • Substantial construction with outboard bearings • Max. Product temperature 120° C (standard version) • Special heat resistant version up to a product temperature of 400°C • Adaptable, interchangeable and adjustable rotor blades • Tailor made solutions using standard components.

BASIC COMBINATIONS			
Body and End cover	Rotor	Rotor blades	Shaft sealing
Cast iron / fabricated in steel	Mild Steel	Mild Steel	Gland packing
Stainless Steel (316)	Stainless steel (316)	Stainless steel (316)	Gland packing
Cast Iron: Cast iron internally hard chromium plated.	Stainless steel (316)	Stainless steel (316)	Gland packing
Cast Iron: Cast iron in – and externally electroless nickel- plated.	Stainless steel (316)	Stainless steel (316)	Gland packing
Cast iron: Cast iron internally with hard chromium plated.	Mild steel with hard chromium plated shaft ends	Hardened steel	--

Manufacturers	
<p>Kateel Engineering Industry Private Limited. No.19 & 20, R.Bhadrappa Estate Magadi Main Road, Kamakshipalya Bangalore – 560 079 (INDIA) Phone : 080-23484179 / 23210850 Tele Fax : 080-23481305 Email : info@kateel.com Web : http://www.kateel.com</p>	<p><u>Our Other Products:</u></p> <ul style="list-style-type: none"> • Butterfly Valves • Dual Plate Check Valves • Knife Gate Valves • Industrial Disc & Drum Brakes * Multi Speed Gear Boxes



Dual Plate Check Valve



Butterfly Valve

KATEEL BRAKES

KATEEL FRICTION LINERS

KATEEL GEAR BOXES

KATEEL POWER PACKS

KATEEL AIR LOCK VALVES

& KNIFE GATE VALVES



- The Kateel's Determination and Dedication to the Customer requirements are totally met in terms of Quality, Quantity, Delivery & after sales service.
- The Products strictly manufactured in accordance with the relevant National & International standards
- Continuous efforts to offer state of the art products to our customers



KATEEL ENGINEERING INDUSTRY (P) LTD.

No. 19/20, R. Bhadrappa Estate, Kamakshipalya,
Magadi Main Road, Bangalore - 560 079.
Karnataka State, India.

Ph: +91 - 080 - 23481305, 23484179, Mobile : 9342134356

Fax: +91 - 080 - 23481305, 23484179

email : kateel@blr.vsnl.net.in / info@kateel.com

