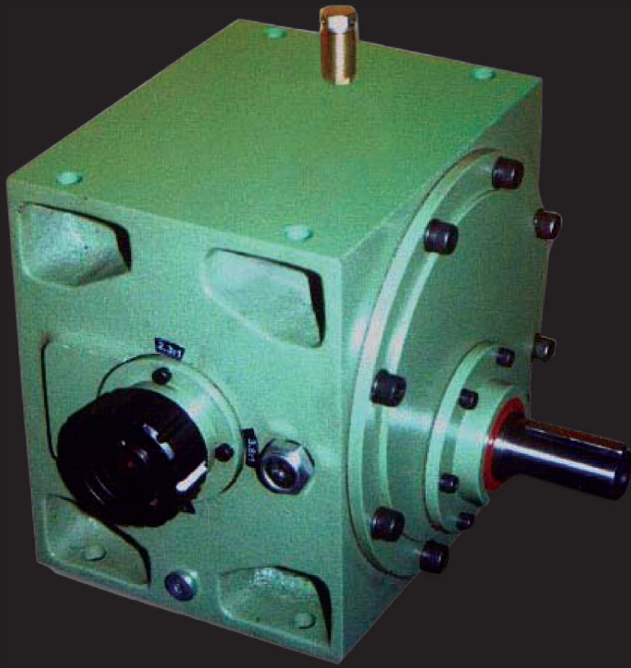


# KATEEL MULTI SPEED GEAR BOX



## Over View

Heavy duty Industrial Multi Speed Gear Boxes are designed for continuous operation and used for speed adjustment at constant power level.

Based on standard Cast-Iron casting, the versatile design allows to offer several options

The Output shaft can be supplied rotate in the same or opposite direction.

Motor Flange can be supplied for direct motor mounting.

## Features

Used as Multipliers or Reducers

Efficiency: Up to 0.95

May be mounted in any position

Manual Shifting of Speed

## Gear Box specifications

### Housing

Housings are constructed of heavy duty Cast Iron or Fabrication for maximum rigidity and proper alignment of Shafts, Gears and Bearings.

Highly corrosion resistant cast iron permits outdoor installation without protective covering.

Large housing surface allows heat generated inside to radiate liberally, hence maintain uniform operating temperature.

### Shafting

Shafts are made through-hardened alloy steel & Splined for maximum torque transmission through Gearing

### Gearing

All the gear are subjected for Nitro Carburizing with 490 – 540 Hv for optimum wear resistance with pitches selected for maximum strength & final condition shaved for accuracy & quite running.

Spur – type Gearing is standard with Helical Gearing available as an option.

Higher size modules viz. 5.0 module and above and available upon request.

All the ratio are in stock for quick handling and prompt delivery of emergency orders.

### Shifting

Internal shifting is through Rack and Pinion arrangement. Shifter pin is through hardened. All positions are held by spring – loaded detents.

### Bearing

Heavy duty Ball bearings are used throughout.

### Seals

Spring loaded lip type seals are used at all shaft extensions, including shifter arms for maximum insurance against oil leakage and internal oil contamination.

### Lubrication

For normal mounting, Gear & Shaft are splash lubricated

A sight gauge is supplied for ease of checking proper oil level.

Specified lubricating oil are readily obtainable.

Highly efficient air breather equalizes internal and atmospheric pressure.

### Application

Some of Industries we serve include

Steel & Tube Processing.

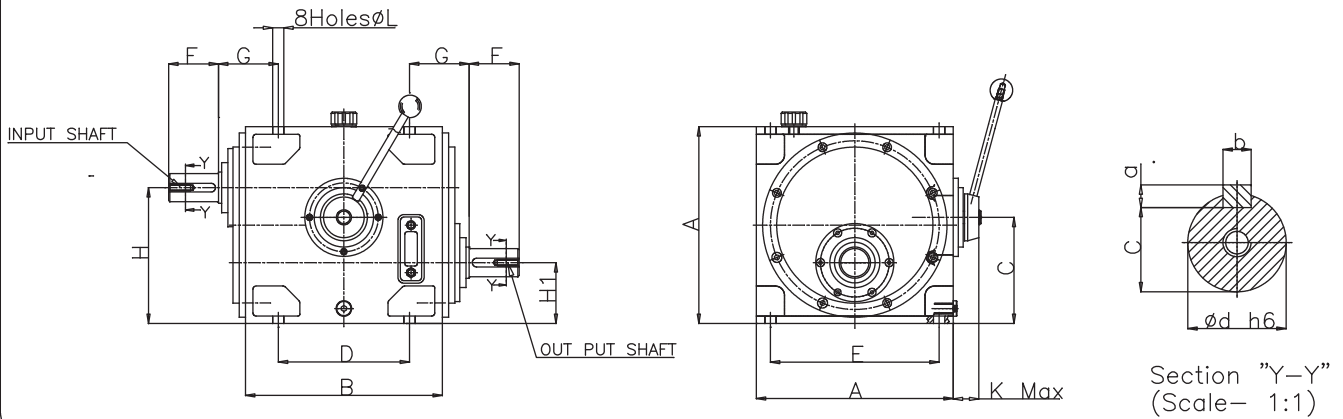
Wire Drawing.

Plastic Extrusions.

Waste Water Treatment.

Petroleum Processing.

TECHNICAL DATA



DIMENSIONS

MODEL	A	B	C	D	E	F	G	H	H1	K max	L
K-MS-GB250	250	200	125	136	220	65	73.5	170	80	60	13
K-MS-GB315	315	315	170	210	270	80	95	217.5	97.5	90	18
K-MS-GB250-3SN	250	200	125	136	220	65	73.5	170	80	60	13
K-MS-GB250-4SN	315	315	170	210	270	80	95	217.5	97.5	90	18

KEY WAY

MODEL	a	b	c	d
K-MS-GB250	8	10	30	35
K-MS-GB315	9	14	39.5	45

MODEL	POWER	SPEED RATIO				
		1	2	3	4	
K-MS-GB250	10HP	1.0	2.35	3.75		
K-MS-GB250	15HP	1.0	2.35	3.75		
K-MS-GB250-3SN	15HP	1.0	2.35	3.75		(with neutral)
K-MS-GB250-4SN	15HP	1.0	1.56	2.37	3.75	(with neutral)
K-MS-GB315	25HP	1.0	2.35	3.75		

\* Kateel can supply the gear Shifter in R.H. Side. Customers are Requested to specify while ordering.

DESIGN IS SUBJECTED TO CHANGE WITHOUT PRIOR NOTICE, CUSTOMERS ARE REQUESTED TO GET THEIR UPDATED CATALOGUES.



**KATEEL ENGINEERING INDUSTRY (P) LTD.,**

#223, 80 FEET OUTER RING ROAD, NAGARABHAVI 6TH BLOCK  
2ND STAGE, BANGALORE-560072.

Ph: 080-23484179,23210850 Fax: 080-23481305

E-mail: info@kateel.com / pad@kateel.com