

Pneumatic Active Disc Brake Caliper

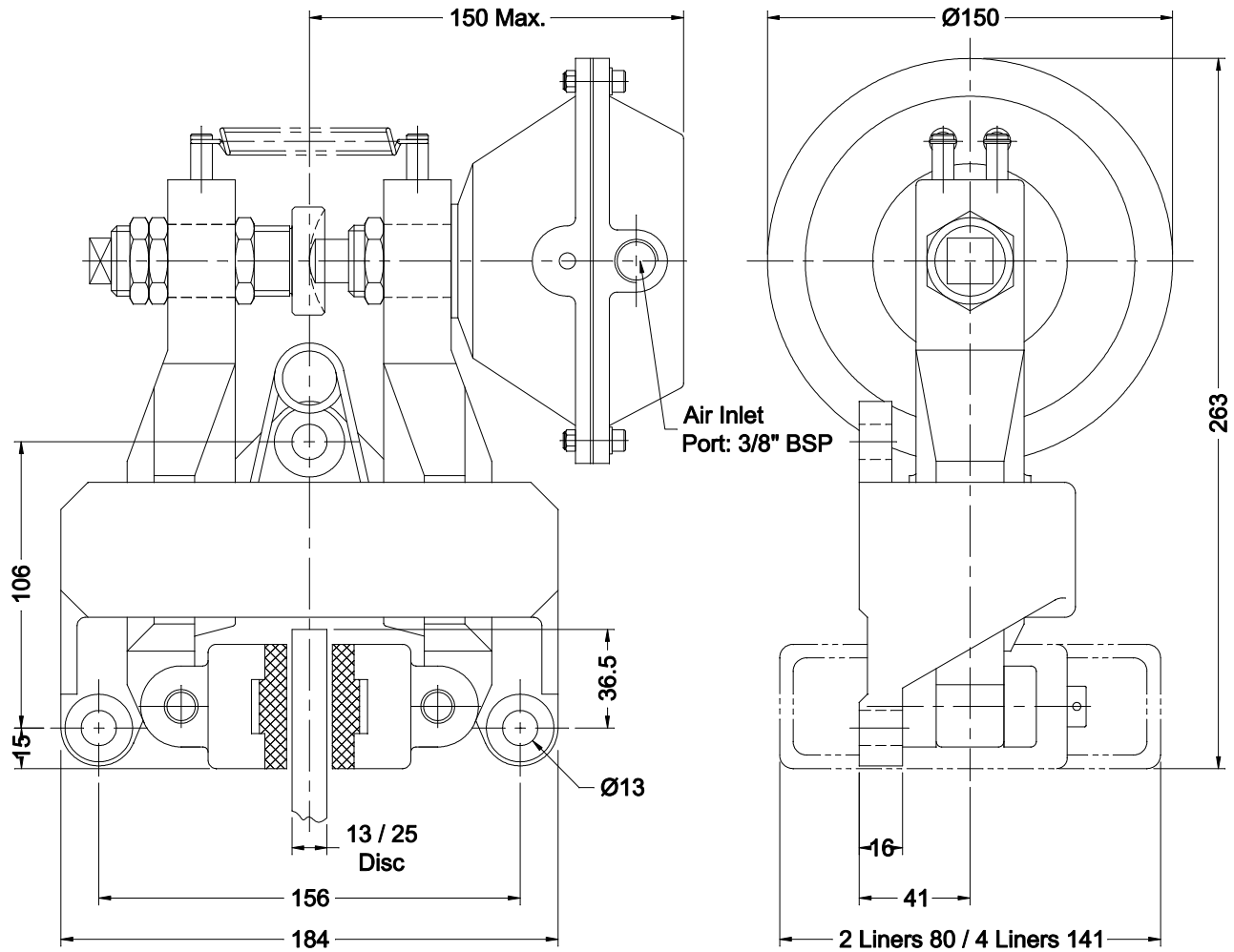
MODEL:

Data Sheet No.

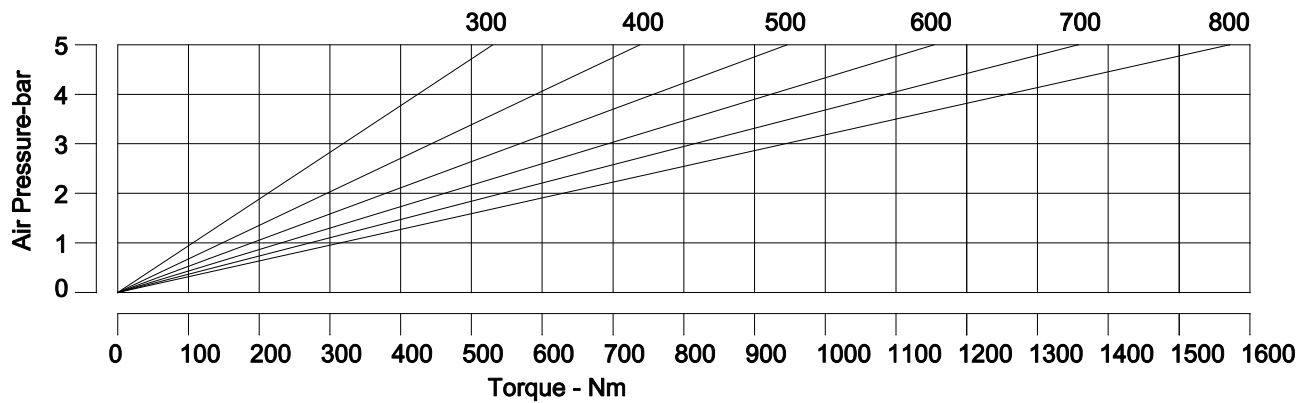
Air Applied - Spring Released

Kb-PA-150

DS0313/R1



Brake Disc Outer Diameter -mm



Note: Design & data is subjected to change due to continuous product development

Pad Width - mm	46	Min. Clamping Force (Fc-min.)- N	5214.62
Pad Area - sq.mm	5700/11400	Max. Clamping Force - N (Fc-max.)	5489.08
Max. allowable wear of brake pad - mm	5	Min. Braking Force (Fb-min.)- N	4172
Nominal co-efficient of friction - mu	0.4	Max. Braking Force (Fb-max.)- N	4391
Max. Air Gap - mm	0.5	Operating Pressure normal/max. - bar	5 Nor./ 7Max.
Weight - kg.	8.5	Air / Oil Consumption - cc	300



KATEEL Engineering Industry Private Limited

19/20, R.Bhadrapa Estate, Kamakshipalya, Magadi Main Road,
Bangalore - 560079
INDIA.

Ph: +91-80-3481305, 3484179 Fax: +91-80-3481305, 3218044
email: info@kateel.com, kateel@blr.vsnl.net.in web:www.kateel.com

ISSUE	02
DATE	JAN-03