

# Pneumatic Failsafe Disc Brake Caliper

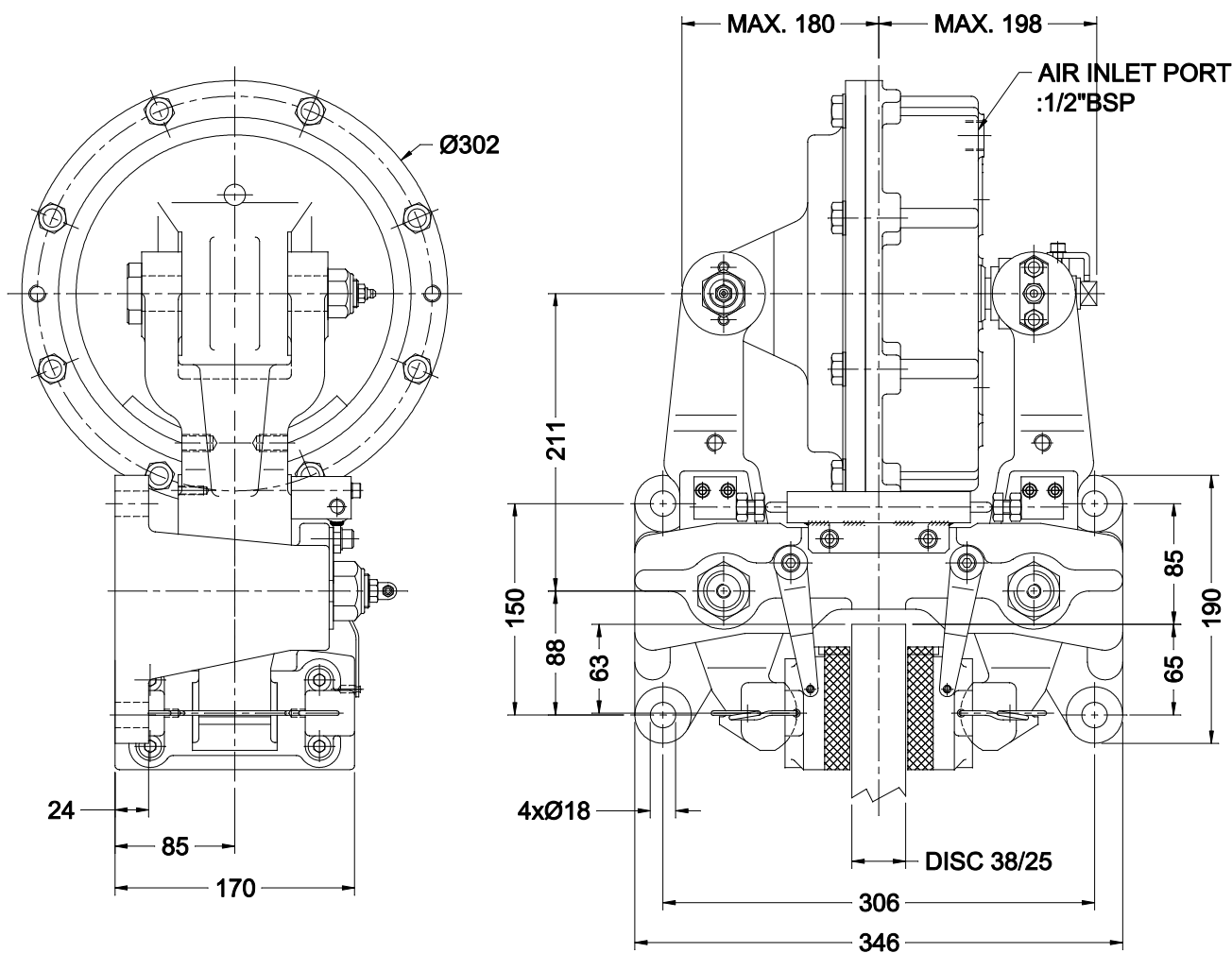
**MODEL:**

**Data Sheet No.**

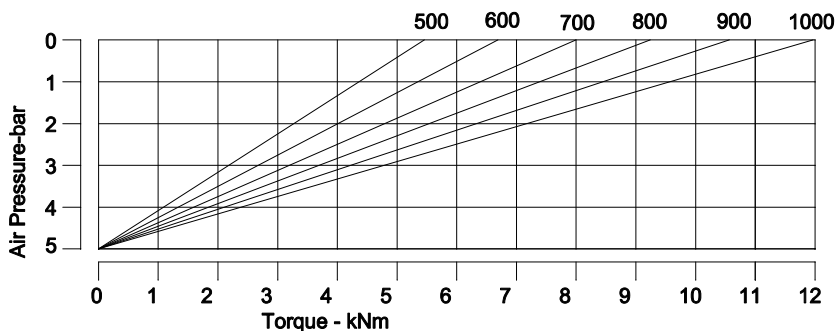
Spring Applied - Air Released

**Kba-PF-1000**

8401.29.001.03.005/R1



Brake Disc Outer Diameter -mm



Note: Design & data is subjected to change due to continuous product development

Pad Width - mm	87	Min. Clamping Force (Fc-min.)- N	32,700
Pad Area - sq.mm	13,000	Max. Clamping Force - N (Fc-max.)	36,333
Max. allowable wear of brake pad - mm	15	Min. Braking Force (Fb-min.)- N	26160
Nominal co-efficient of friction - mu	0.4	Max. Braking Force (Fb-max.)- N	29066
Max. Air Gap - mm	1.0	Operating Pressure normal/max. - bar	5Nor./ 7Max.
Weight - kg.	78	Air / Oil Consumption - cc	1400



## KATEEL Engineering Industry Private Limited

19/20, R.Bhadrapa Estate, Kamakshipalya, Magadi Main Road,  
Bangalore - 560079  
INDIA.

Ph: +91-80-3481305, 3484179 Fax: +91-80-3481305, 3218044  
email: info@kateel.com, kateel@blr.vsnl.net.in web:www.kateel.com

ISSUE	01
DATE	Jul-04