

Hydraulic Active Disc Brake Caliper

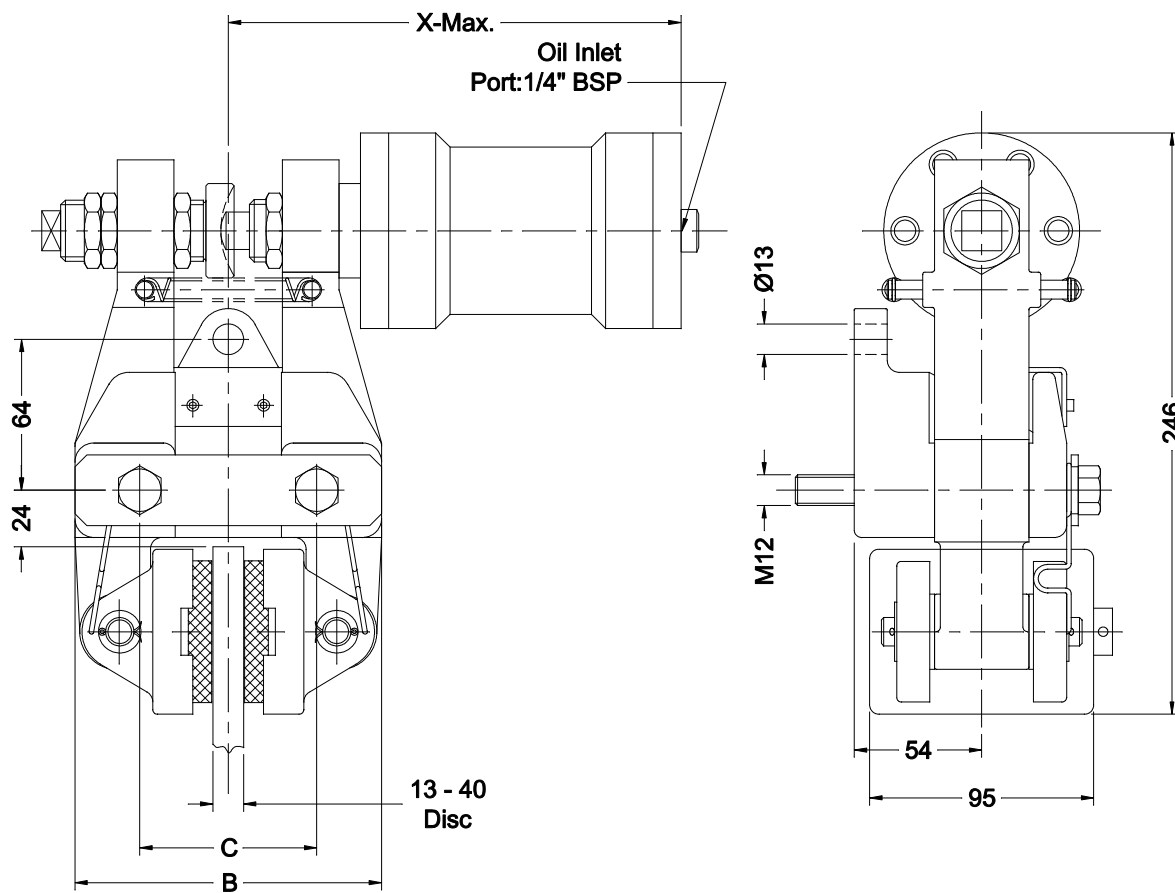
MODEL:

Data Sheet No.

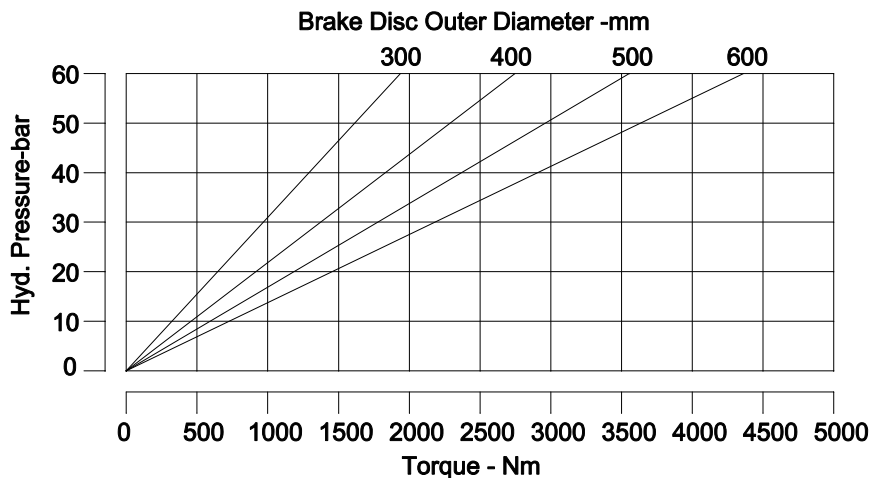
Hydraulically Applied - Spring Released

Kc-HA-050

DS0431/R1



Disc Thk.	X-Max.	B	C
13-15	213	130	75
25.4	216	134	84
30	220	142	75
40	225	150	84



Note: Design & data is subjected to change due to continuous product development

Pad Width - mm	60	Min. Clamping Force (Fc-min.)- N	20201
Pad Area - sq.mm	10200	Max. Clamping Force - N (Fc-max.)	21264
Max. allowable wear of brake pad - mm	5	Min. Braking Force (Fb-min.)- N	16160
Nominal co-efficient of friction - mu	0.4	Max. Braking Force (Fb-max.)- N	17011
Max. Air Gap - mm	0.5	Operating Pressure normal/max. - bar	60 Max.
Weight - kg.	15.5	Air / Oil Consumption - cc	82 Max.



KATEEL Engineering Industry Private Limited

19/20, R.Bhadrapa Estate, Kamakshipalya, Magadi Main Road,
Bangalore - 560079
INDIA.

Ph: +91-80-3481305, 3484179 Fax: +91-80-3481305, 3218044
email: info@kateel.com, kateel@blr.vsnl.net.in web:www.kateel.com

ISSUE	02
DATE	JAN-03