

Hydraulic Active Disc Brake Caliper

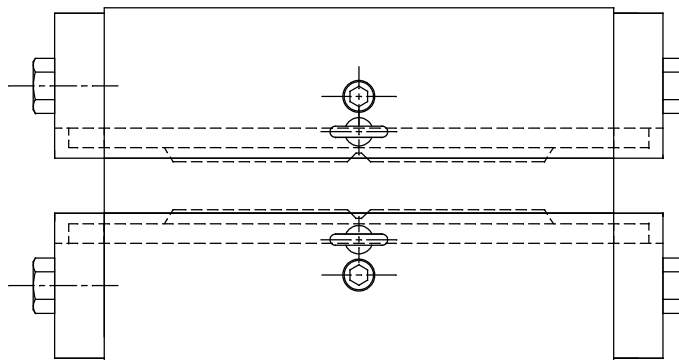
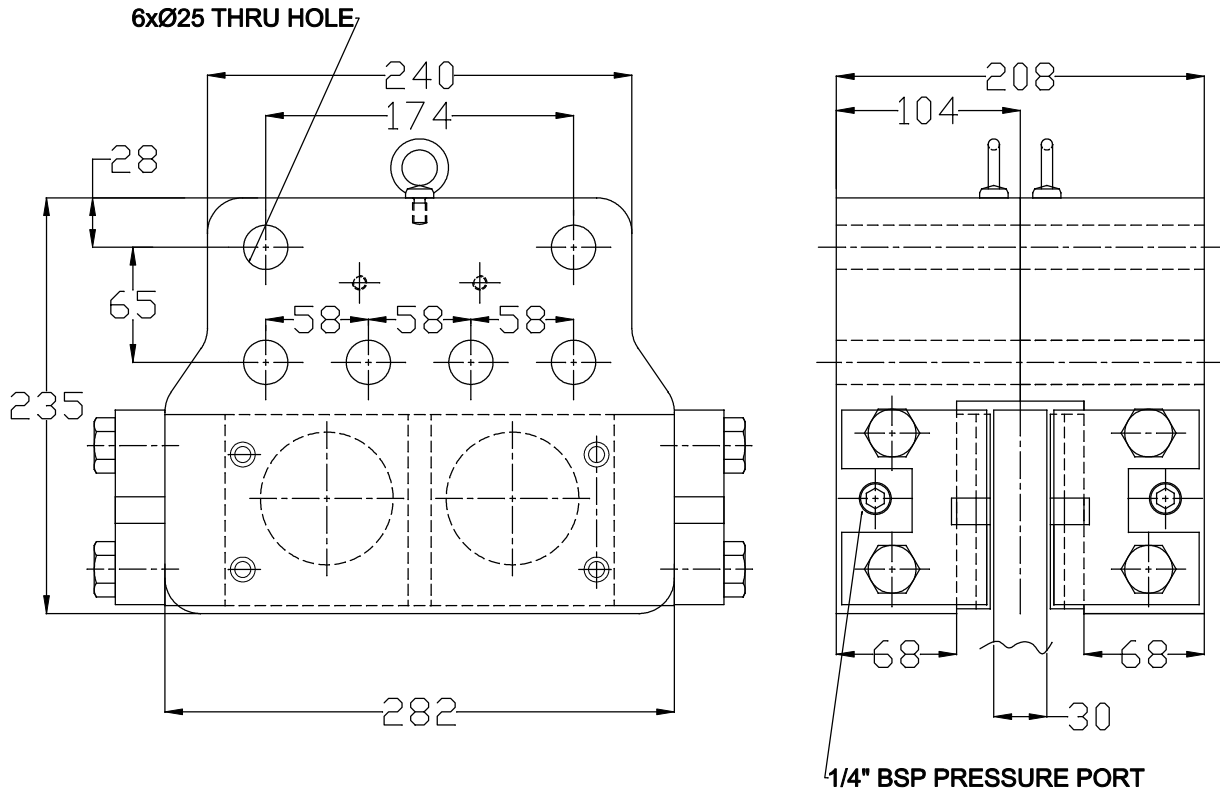
MODEL:

Data Sheet No.

Hydraulically Applied - Spring Released

KL-HA-75x2WW

8402.03.016



Note: Design & data is subjected to change due to continuous product development

Pad Width - mm	110	Min. Clamping Force (Fc-min.)- N	
Pad Area - sq.mm	48400	Max. Clamping Force - N (Fc-max.)	140000
Max. allowable wear of brake pad - mm	5	Min. Braking Force (Fb-min.)- N	
Nominal co-efficient of friction - mu	0.4	Max. Braking Force (Fb-max.)- N	112000
Max. Air Gap - mm	1	Operating Pressure normal/max. - bar	160
Weight - kg.		Air / Oil Consumption - cc	



KATEEL Engineering Industry Private Limited

19/20, R.Bhadrapa Estate, Kamakshipalya, Magadi Main Road,
Bangalore - 560079
INDIA.

Ph: +91-80-3481305, 3484179 Fax: +91-80-3481305, 3218044
email: info@kateel.com, kateel@blr.vsnl.net.in web:www.kateel.com

ISSUE	01
DATE	16.03.10