

Electro magnetic brake

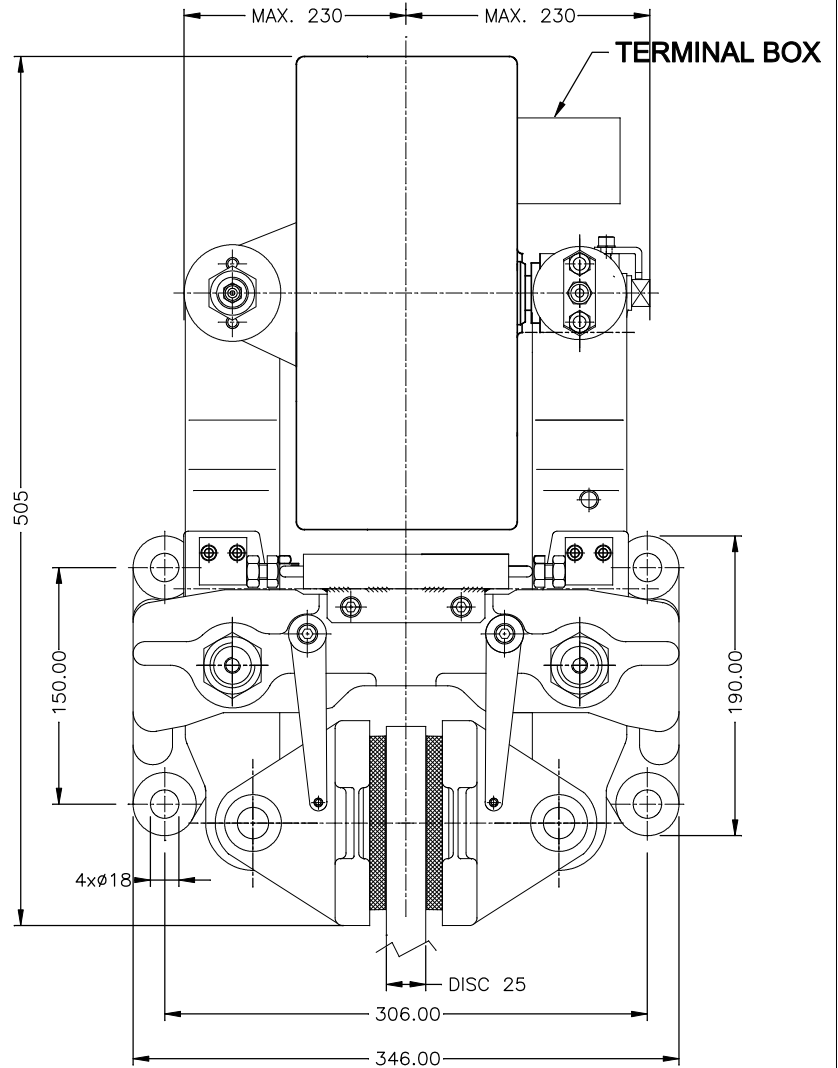
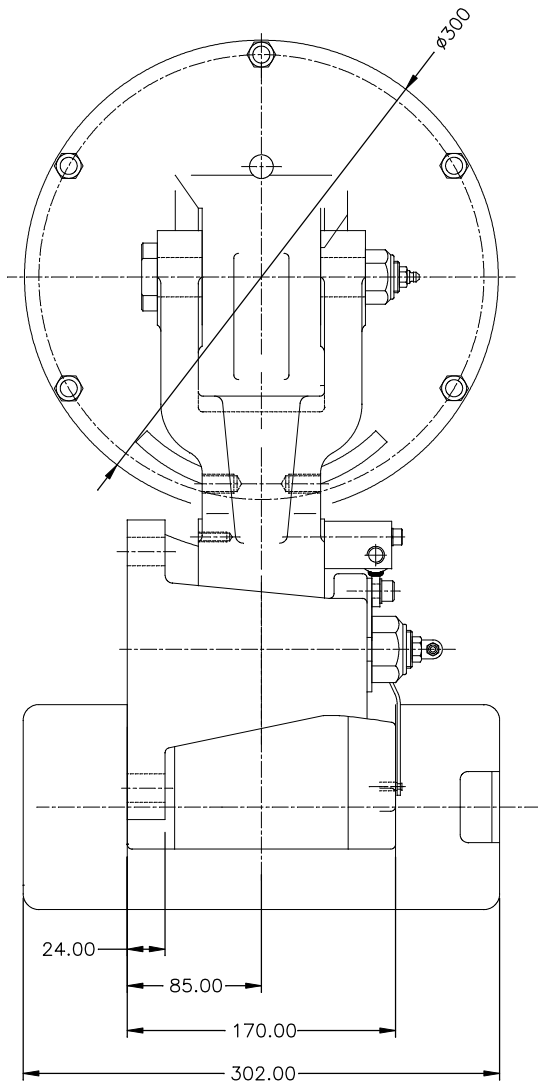
MODEL:

Data Sheet No.

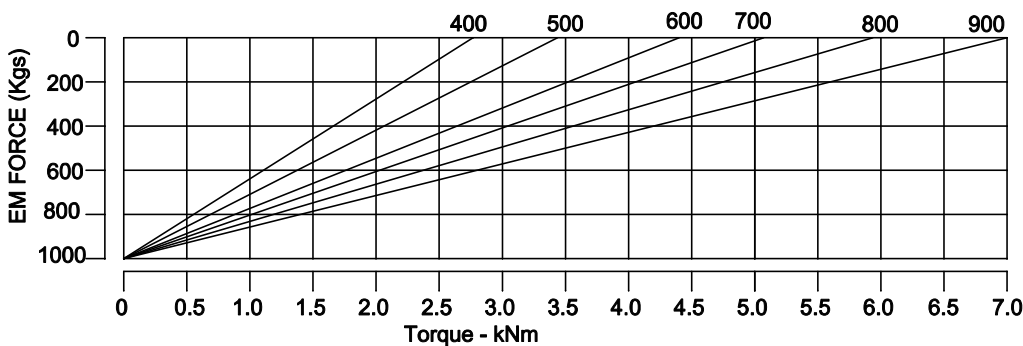
Spring Applied - Electromagnetically Released

Kba-EM-1000

2037/SR3



Brake Disc Outer Diameter -mm



Electromagnetic Thruster Data

Pulling current	22 Amps max.
Holding current	5 Amps max.
Pulling Voltage	150 VDC ±10%
Holding Voltage	30 VDC ±10%
Thruster Force	1000 kgf Max.
Stroke length	6mm Max.
No. Actuation	1800 cycles/hr.
Response time	0.2 Sec
Weight	130 kgs Appx.

Note: Design & data is subjected to change due to continuous product development

Pad Width - mm	110	Min. Clamping Force (Fc-min.)- N	
Pad Area - sq.mm	52500	Max. Clamping Force - N (Fc-max.)	21248
Max. allowable wear of brake pad - mm	5	Min. Braking Force (Fb-min.)- N	
Nominal co-efficient of friction - mu	0.4	Max. Braking Force (Fb-max.)- N	16999
Max. Air Gap - mm	0.5	Operating Pressure normal/max. - bar	
Weight - kg.		Air / Oil Consumption - cc	



KATEEL Engineering Industry Private Limited

19/20, R.Bhadrapa Estate, Kamakshipalya, Magadi Main Road,
Bangalore - 560079
INDIA.

Ph: +91-80-3481305, 3484179 Fax: +91-80-3481305, 3218044
email: info@kateel.com, kateel@blr.vsnl.net.in web:www.kateel.com

ISSUE	00
DATE	March-13